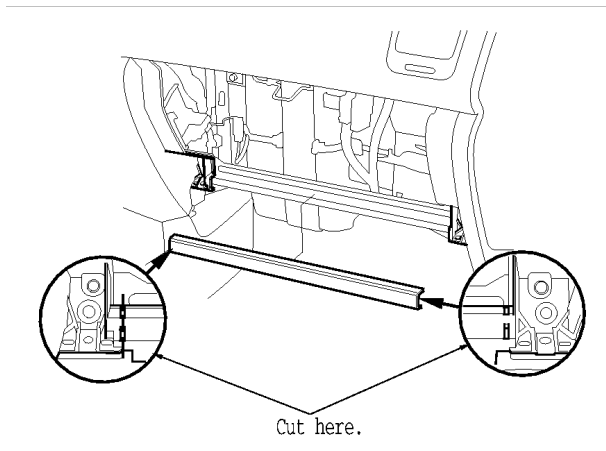
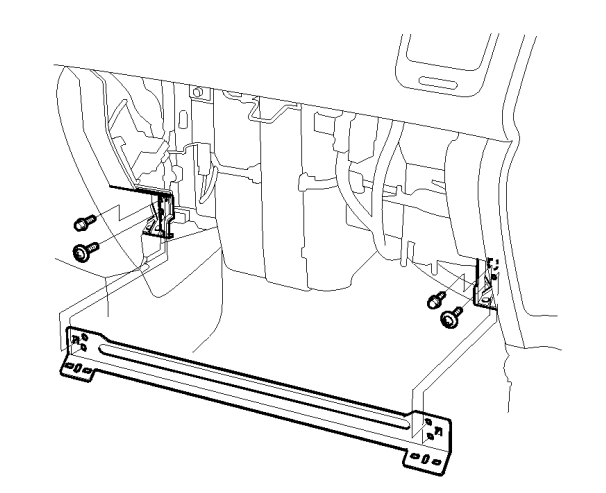


2007 PILOT - Dust and Pollen Filter Replacement

1. Remove the glove box.
2. Cut the plastic cross brace in the glove box opening with diagonal cutters in the area shown, and discard it.



3. Remove the bolts, the screws, and the glove box frame.



4. Remove the filter lid (A) from the evaporator, then pull out the dust and pollen filter (B).
5. Install the filter in the reverse order of removal. Note the direction of the arrow. Make sure that there is no air leaking out of the evaporator.
6. Install the glove box frame and glove box in the reverse order of removal.

